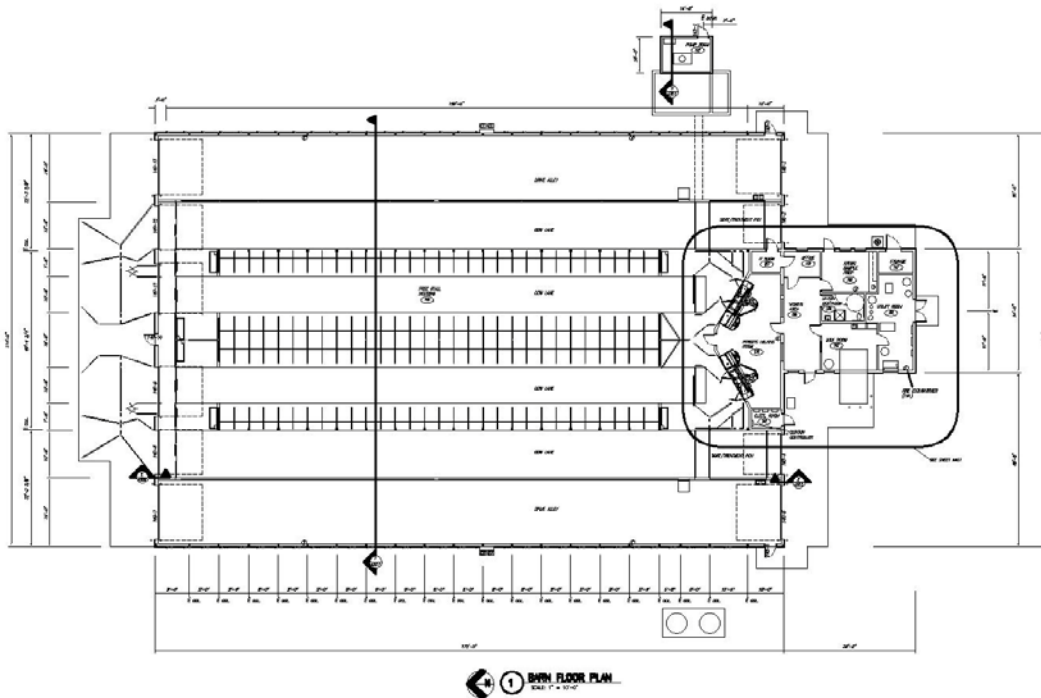


Project Location: Richland, Michigan**Project Overview:**

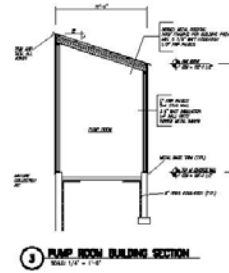
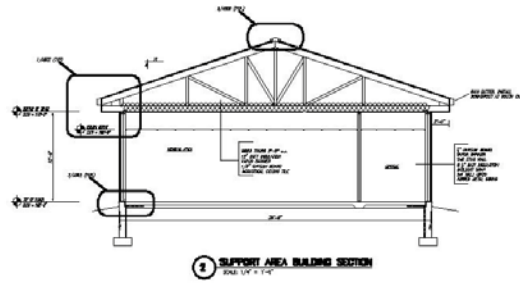
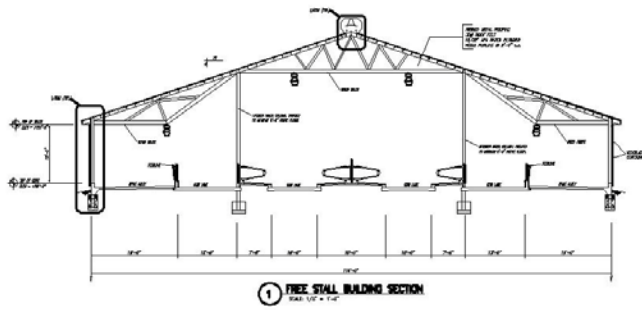
- The project is currently under construction and when complete will provide a new research and demonstration dairy facility for the Kellogg Biological Station, an outreach farm of Michigan State University. The facility will include a lactating cow free stall housing for 120 cows with two Robotic Milking Units and support space. The focus of the research and demonstration will be on the utilization of pasture by dairy cows. The facility is designed to promote efficient access to pasture while allowing cows to return to be milked automatically by the Robotic Milking Systems. The project is also pursuing LEED accreditation.

Project Services:

- Curry-Wille and Associates served as the lead A/E firm and provided site and utility, structural, architectural, livestock and milking equipment, mechanical, and electrical design for the project. Services were provided for programming, schematic design, design development, construction documents, bidding, and construction administration.

Drawing Samples:

Floor Plan



Building Sections