

Project Location: Sioux Center, Iowa

Project Overview:

- Layout and design of new roller mill and swing arm hoist structure. The location of the new roller mill had clearance issues in relationship to the driveway. Therefore, the new roller mill platform was designed center levered from an existing structures column and secured to an existing concrete bin.

Project Services:

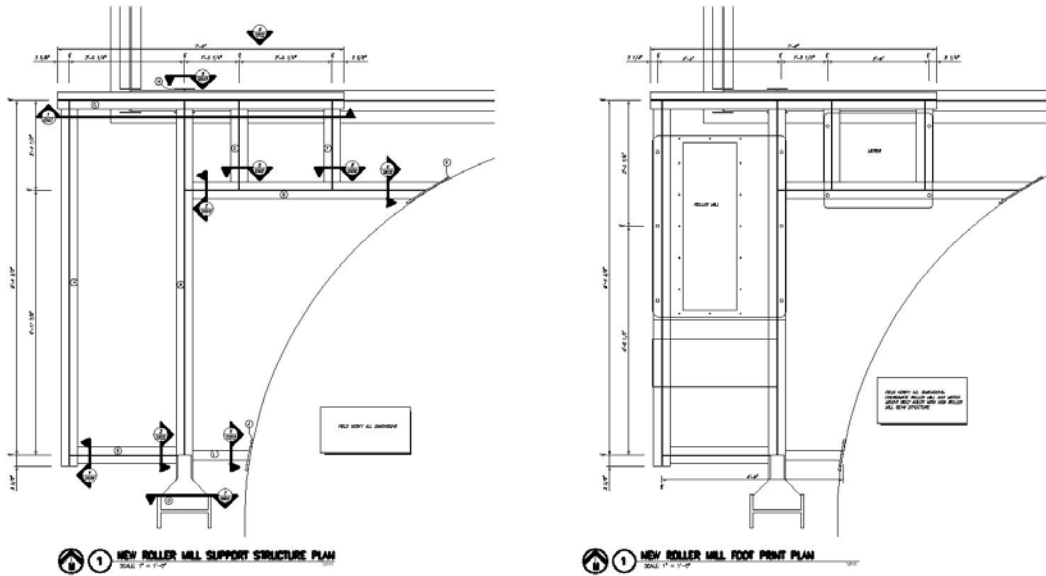
- Site layout
- Preliminary Design
- Equipment Layout
- Structural Design
- Construction Documents

Photos:

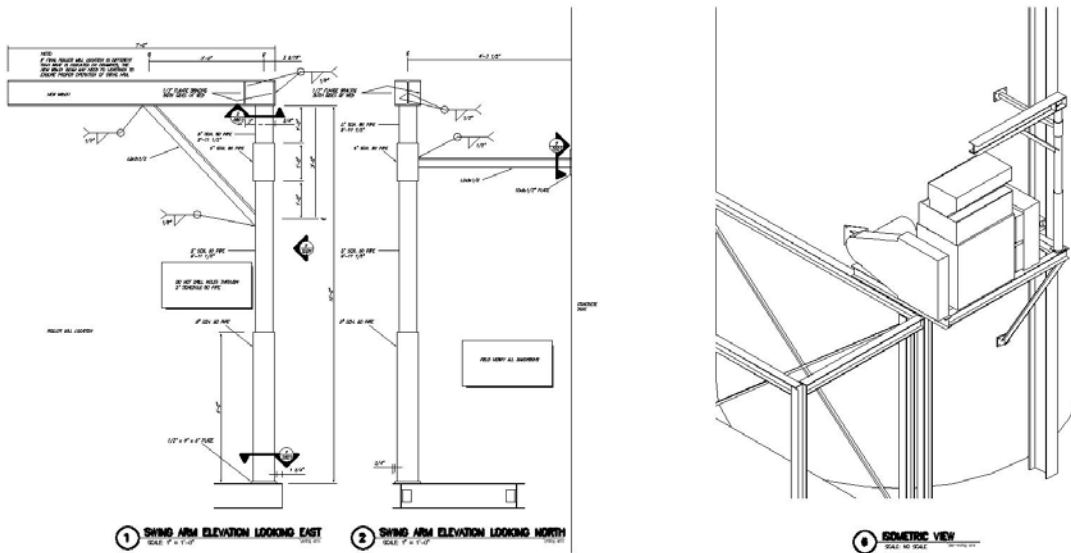


Pre-Construction

Drawing Samples:



Preliminary Layout Plan



Swing Arm Elevation

Preliminary 3d view