

**Project Location:** Orange City, Iowa

**Project Overview:**

- Layout and design of new manlift support. Designed support structure for new manlift which extends through the concrete roof of the feed mill.

**Project Services:**

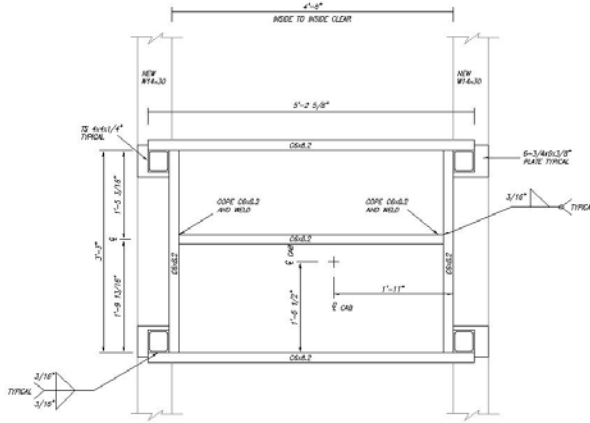
- Site layout
- Preliminary Design
- Equipment Layout
- Structural Design
- Construction Documents

**Photos:**

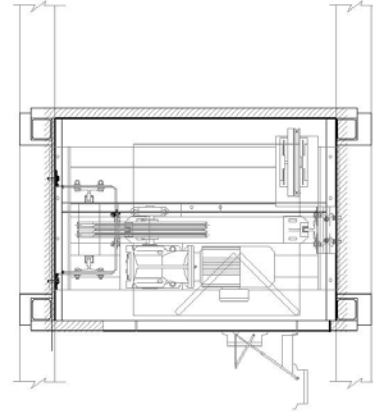


Pre-Design

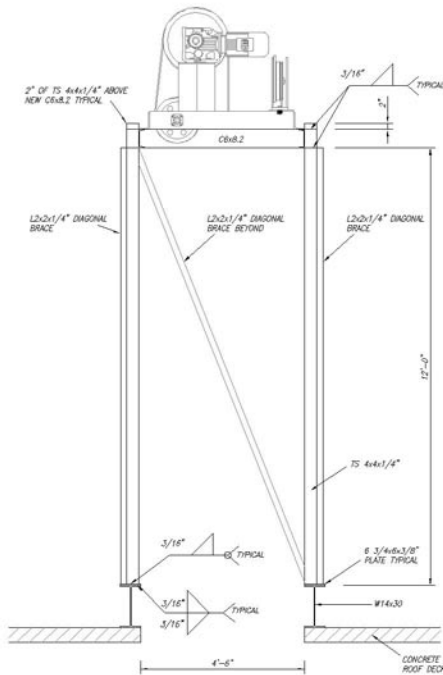
Drawing Samples:



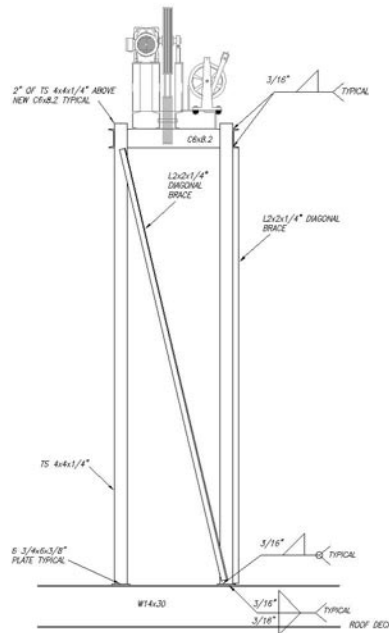
1 STRUCTURE PLAN  
 SCALE: 1/4" = 1'-0" Vertical



Preliminary Layout Plan



3 ELEVATION  
 SCALE: 1/2" = 1'-0" Vertical



4 ELEVATION  
 SCALE: 1/2" = 1'-0" Vertical

Preliminary Elevations