

Project Location: Sanborn, Iowa

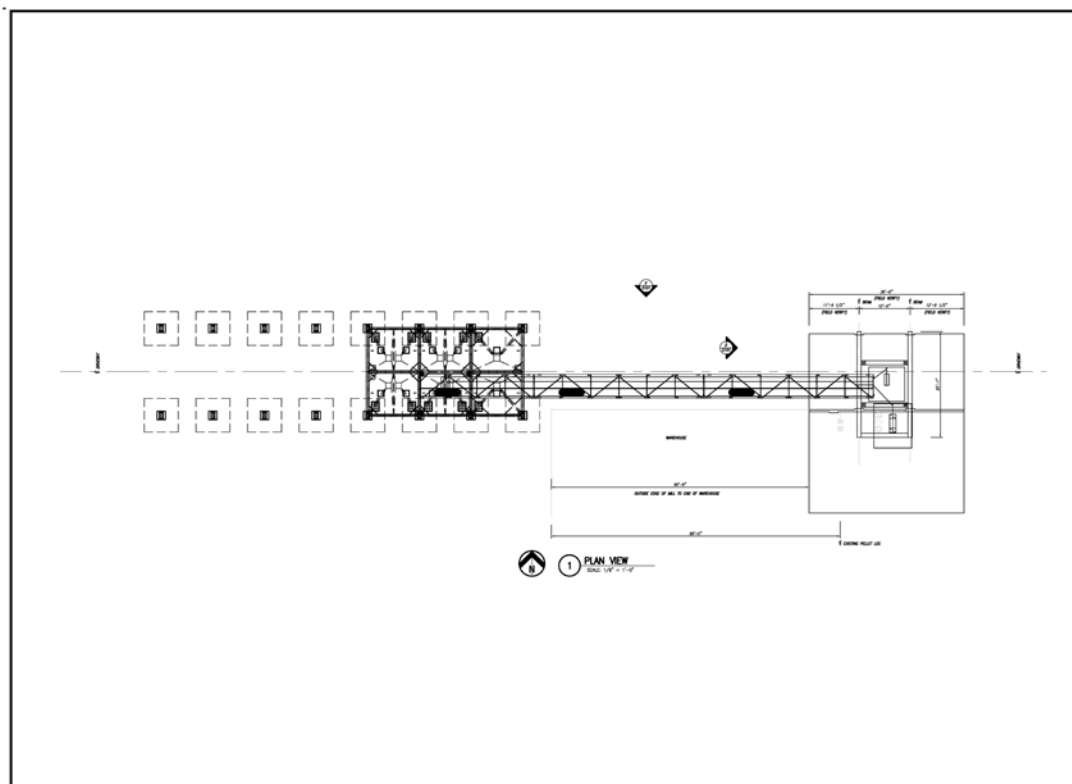
Project Overview: Upgrade Feed Mill

- Layout and design of new feed mill upgrades. Added more bulk storage by cutting a hole in an existing concrete floor, provide structural design to support the floor, extended two bucket elevators through the feed mill roof and secured them, designed new shaker support structure, added new load out bins cluster, and designed new floor support for a new larger pellet mill.

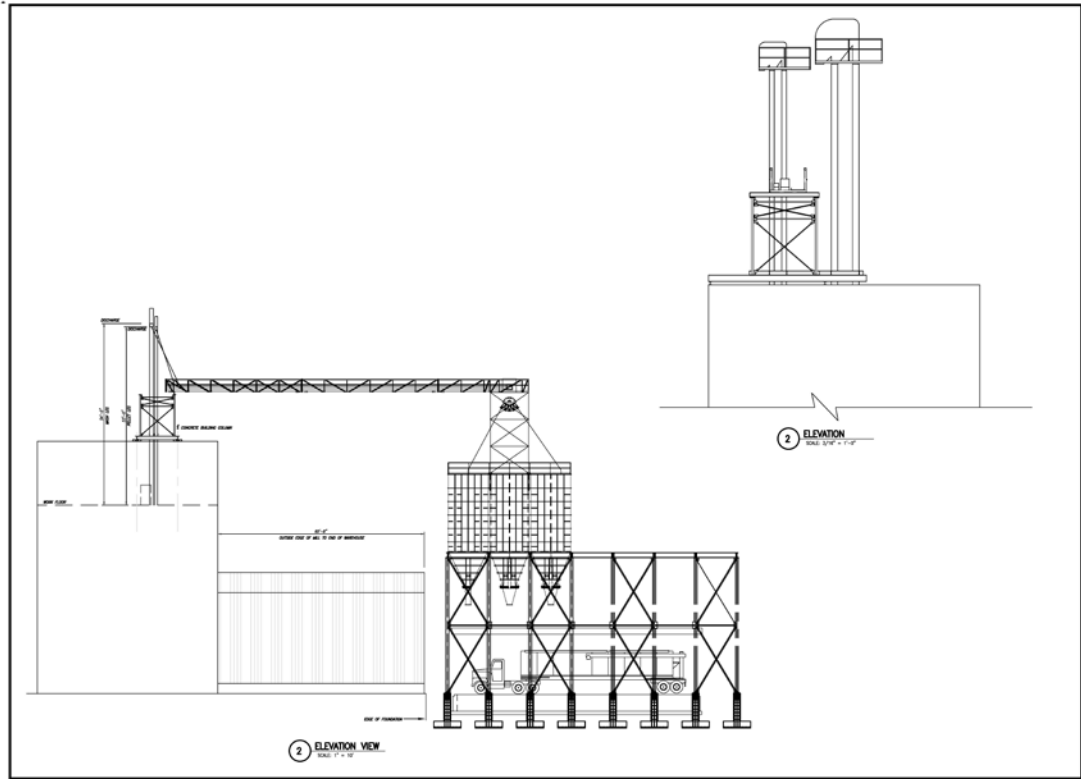
Project Services:

- Site layout
- Preliminary Design
- Equipment Layout
- Structural Design
- Construction Documents

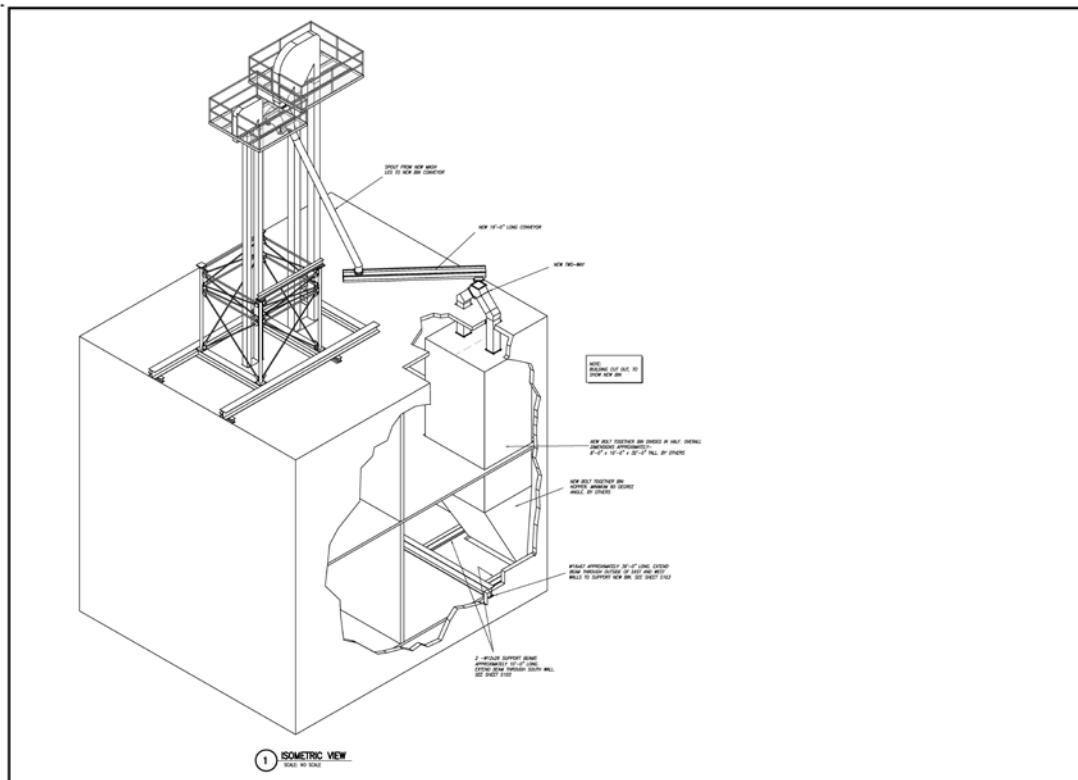
Drawing Samples:



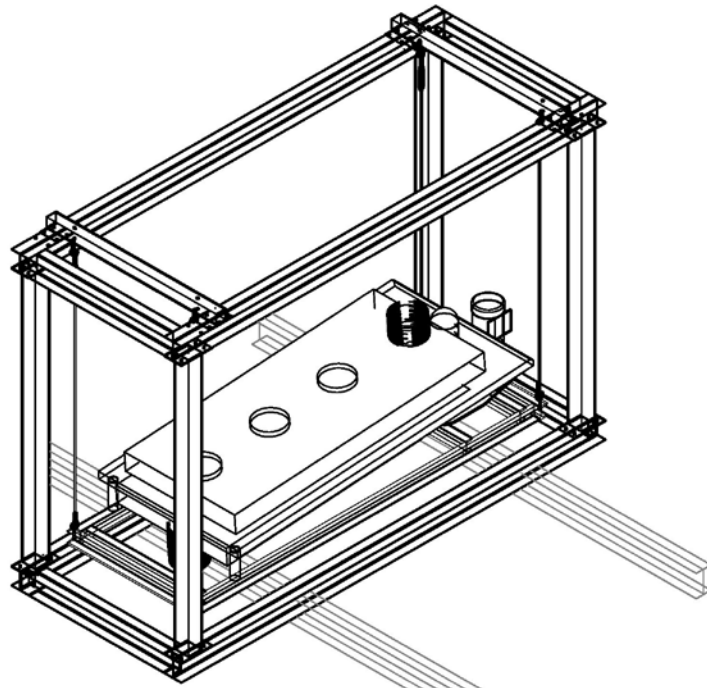
Preliminary Layout Plan



Preliminary Layout Plan



3D Model layout of new Bulk Storage Bin



3D Model of new Shaker Frame